

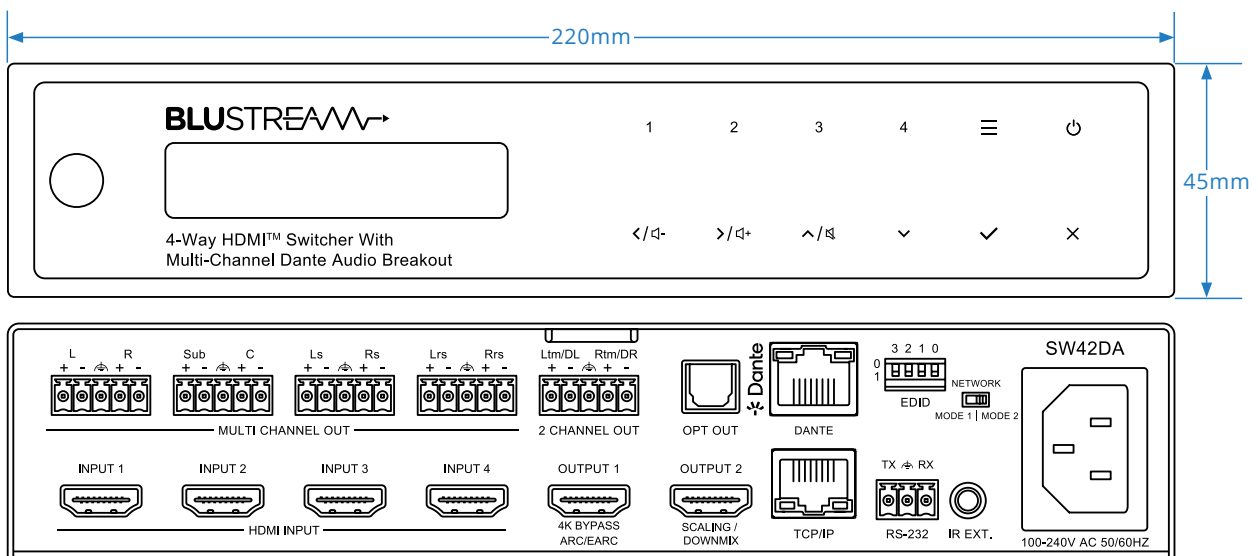
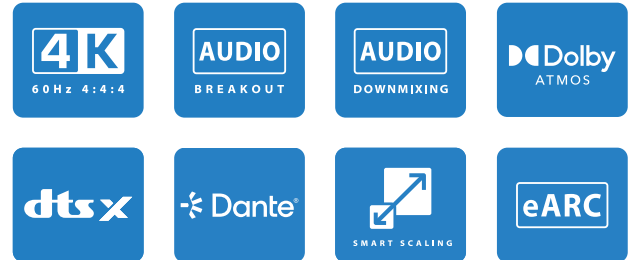
4-Way HDMI Switcher With Multi-Channel Dante® Audio Breakout

Description

The Blustream SW42DA is a 4-Way HDMI switch that has been designed to convert and downmix embedded Dolby Audio or DTS Audio within a HDMI switching environment, HDMI audio capabilities include the selection and manipulation of formats across both multichannel and 2ch downmixed Dante® digital signal, optical, multi-channel and 2ch downmixed balanced/unbalanced analogue audio and HDMI outputs.

The SW42DA will pass native video and multi-channel audio to compatible equipment, with a second HDMI output featuring selectable video down-conversion of 4K 60Hz 4:4:4 video down to 1080p, with embedded native or down-mixed 2ch audio as required.

The SW42DA provides an advanced, but cost effective solution for ensuring that 4K UHD video and multi-channel audio can be distributed around a Dante® multi-room system where there are a mixture of 2ch and/or 7.1ch zones or 7.1.2/5.1.4 (9.1ch) audio, with multiple output resolution requirements.



Key Features

- Features 4 x HDMI inputs which can be switched to the dual HDMI outputs
- Supports HDMI 2.0b 18Gbps specification including 4K 60Hz 4:4:4 UHD video
- Supports distribution of the latest HDR resolutions including HDR10/10+ and Dolby Vision
- HDMI output 1 replicates the HDMI input signal up to 4K 60Hz 4:4:4 and 7.1.2ch Dolby Atmos and DTS-HD audio
- HDMI output 2 features 4K video down-scaler and 7.1.2ch to 2ch Dolby Atmos and DTS-HD audio downmix
- Supports all known HDMI audio formats including Dolby TrueHD, Dolby Atmos, Dolby Digital Plus and DTS-HD Master Audio transmission
- HDMI audio breakout of Dolby Atmos and DTS-HD to up to 8 channels of Dante® audio (7.1ch) and independent 2 down-mixed channels of Dante® audio
- HDMI audio breakout of Dolby Atmos and DTS-HD to up to 10 channels of Dante® audio (7.1.2ch / 5.1.4ch)*
- HDMI audio breakout to 7.1ch balanced and unbalanced analogue audio outputs
- HDMI Dolby Atmos and DTS-HD 7.1 down-mixing to 2ch balanced and unbalanced audio outputs
- Supports ARC/eARC including breakout to 7.1ch and 2ch downmixed analogue and Dante® audio
- Supports: 44.1, 48, 88.2 & 96kHz sample rates @ 24-bit
- Configurable Dante® device latency using Dante® Controller
- Supports AES67 RTP audio transport
- Control via front panel, TCP/IP, web-GUI, RS-232 and IR
- HDCP 2.3 compliant with advanced EDID management

*Dante® 2ch down-mix channels are re-allocated to additional 7.1.2/5.1.4 use

Blustream cannot be held responsible for errors in typography or photography. Specifications are subject to change without notice.



Specifications

- **Dimensions (W x H x D):** 220mm x 214mm x 45mm, without feet or connections
- **Shipping Weight:** 2.6kg
- **Operating Temperature:** 32°F to 104°F (0°C to 40°C)
- **Storage Temperature:** -4°F to 140°F (-20°C to 60°C)
- **Power Supply:** Internal 100-240v AC

Connectivity

- **Video Input Connectors:** 4 x HDMI Type A, 19-pin, female
- **Video Output Connectors:** 2 x HDMI Type A, 19-pin, female
- **Audio Output Connectors:** 1 x Optical (Toslink), 5 x 5-pin Phoenix connector (8ch + 2ch balanced/un-balanced analogue audio), 1 x RJ45, female (100Mbps Dante® network)
- **EDID:** 4-PIN DIP switch
- **TCP/IP Control:** 1 x RJ45, female
- **RS-232 port:** 1 x 3-Pin Phoenix connector
- **IR Input ports:** 1 x 3.5mm stereo jack

Package Contents

- 1 x SW42DA
- 1 x Remote Control
- 1 x IR Receiver
- 1 x 19" Rack Mounting Kit
- 4 x Feet
- 1 x Quick Reference Card
- IEC Power Cable(s)

Regulatory Compliance



Blustream cannot be held responsible for errors in typography or photography. Specifications are subject to change without notice.